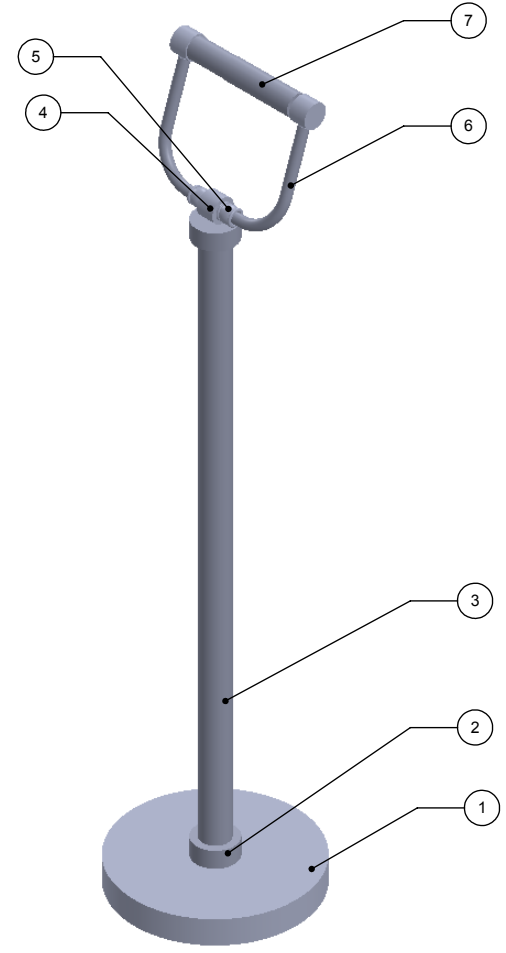
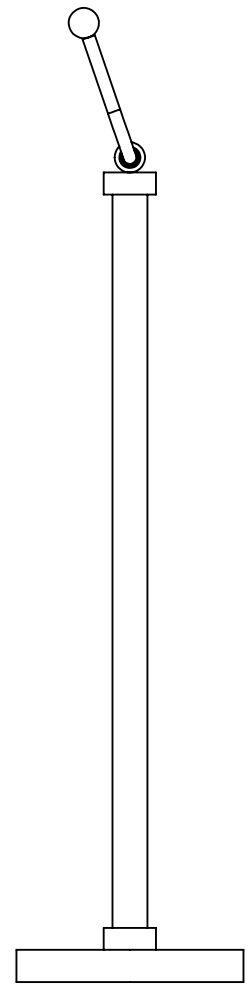
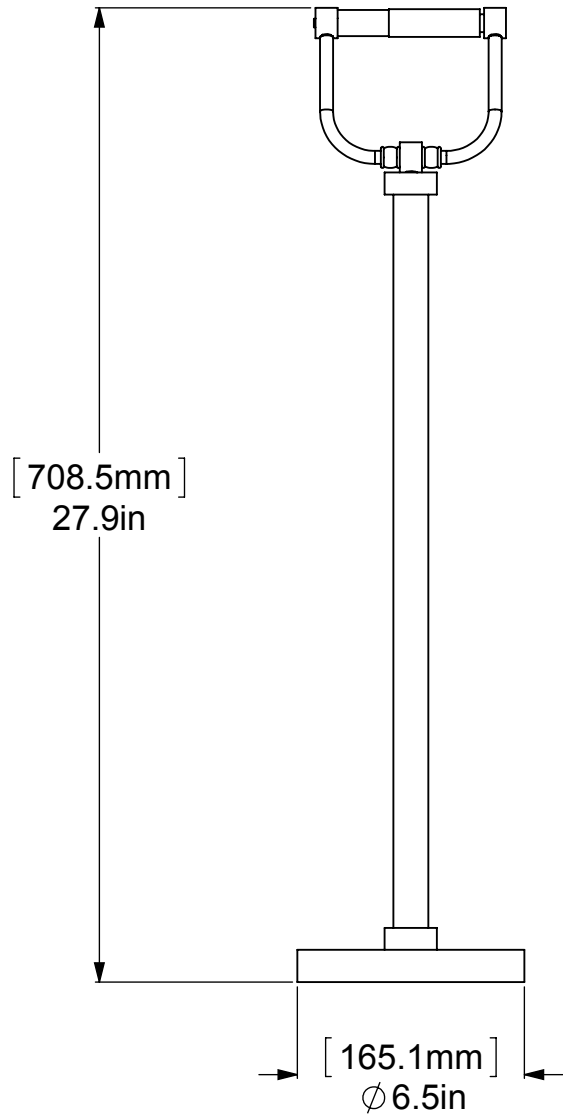


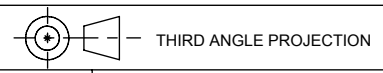
ITEM NO.	P/N	DESCRIPTION	QTY.
1	BSRD-6.5	BASE	1
2	RGSM	HUB	2
3	TU1-21	TUBE	1
4	HBTTT-78	HUB	3
5	PSRD-58	CONNECTOR	2
6	HKTT	PIPE	2
7	ROLL	RLB SET	1



UNLESS OTHERWISE STATED

.X	±.3mm
.XX	±.15mm
.XXX	±.008mm

COPYRIGHT © Allied Brass 2016



DRAWN	3/22/2016	I.M
CHECKED	3/22/2016	P.D
APPROVED	3/22/2016	R.A

MATERIAL:	BRASS
DESCRIPTION:	Free Standing Toilet Tissue Stands

FINISH	TBD
QUANTITY	TBD
DRAWING No.	TS-25
REV	0
SCALE	1:5.5
SHEET: 01	A4